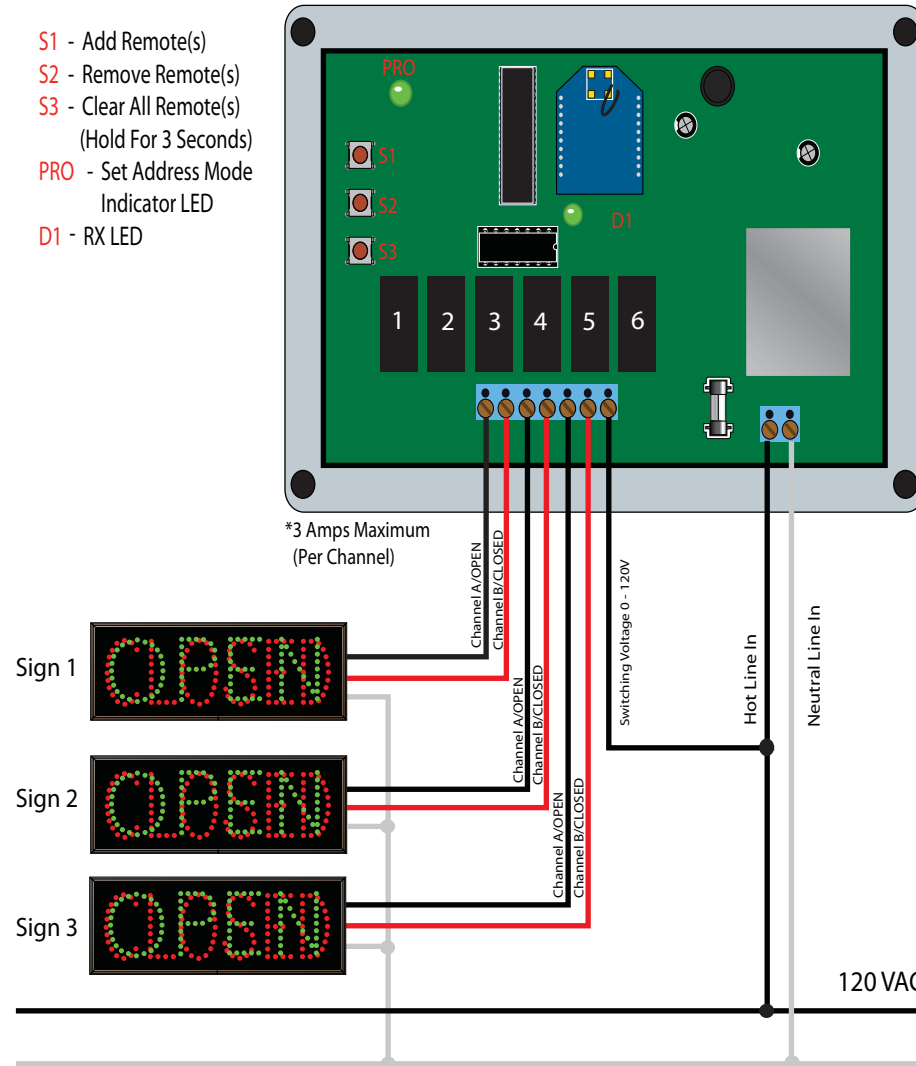


Remote Receiver

To Set Remote Address

- 1) Press button labeled S1 once. The PRO LED will blink once per second.
- 2) Press button 1 on the remote.
- 3) The RX LED will blink to indicate that data was received. The PRO LED will blink rapidly for approximately 2 s.
- 4) Once complete, resume normal operations.

- S1 - Add Remote(s)
- S2 - Remove Remote(s)
- S3 - Clear All Remote(s)
(Hold For 3 Seconds)
- PRO - Set Address Mode
Indicator LED
- D1 - RX LED



Note: This sign is intended to be installed in accordance with the requirements of Article 600 of the National Electric Code and / or other applicable local codes. This includes proper grounding and bonding of the sign.

Note: Make appropriate wiring connections per local codes.

Note: Holes made in weather resistant enclosure for wiring must be sufficiently sealed using silicone.

Note: Antenna shipped separately. Antenna must be screwed into the back of the box to ensure maximum communication distance.

Remote Controller



Each button corresponds to a relay of the same number. Press the button corresponding to the desired relay to turn the message connected to that relay on or off.