



RedStorm™ Control Board

Power Connections

Apply 12V DC to one of the JST connectors. The remaining connector can be used to daisy chain power connections.

LCD Display

All status information and configuration settings can be viewed on the LCD screen.

Fuse

Power LED - 3.3V

The 3.3V Power LED will illuminate when the 3.3V section of the board is working properly.

Power LED - 5V

The 5V Power LED will illuminate when the 5V section of the board is working properly.

TX LED

The TX LED will blink when data is transmitted.

RX LED

The RX LED will blink when data is received.

XBee Module

This module handles wireless communication between RedStorm and any other signage in the system.

**For wireless systems only*

Sensor Inputs

Connect the output wires of your sensors to these terminals.

RJ45 Connections

Connect CAT5 cable with RJ45 connector to these terminals to transmit and receive data.

**RS485 only*

+100

Press the +100 button to increment the value at the current screen by 100.

+10

Press the +10 button to increment the value at the current screen by 10.

+1/cycle

Press the +1 button to increment the value at the current screen by 1.

START

Press the START button to return to the main menu.

NEXT

Press the NEXT button to advance to the next screen.

RESET

Press the RESET button to edit configuration settings or reset a value to Default.

Note: The RESET, +100, +10, and +1 buttons can also be used to toggle between the on-screen options at some configuration screens.

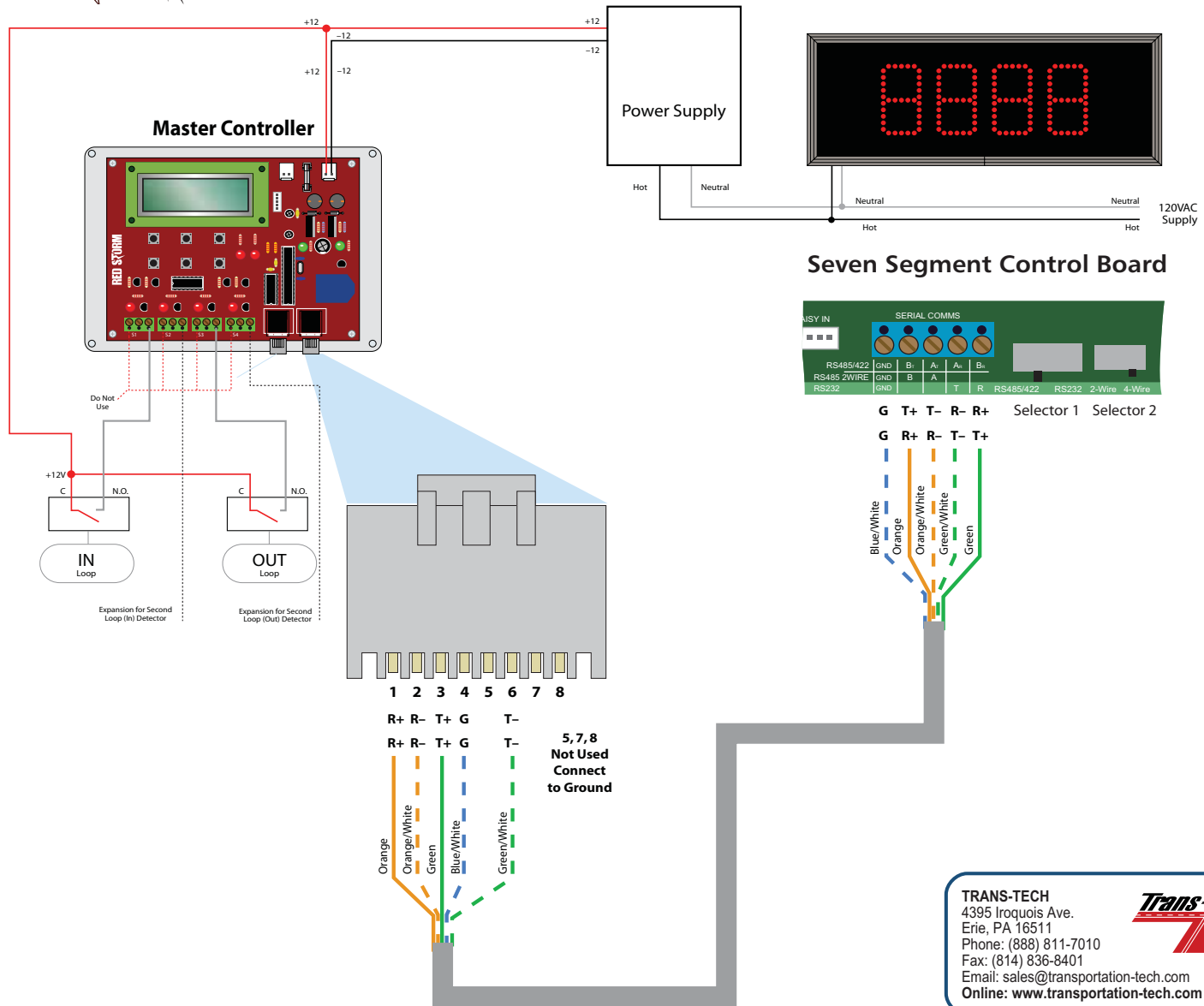
TRANS-TECH
 4395 Iroquois Ave.
 Erie, PA 16511
 Phone: (888) 811-7010
 Fax: (814) 836-8401
 Email: sales@transportation-tech.com
 Online: www.transportation-tech.com



Proudly Made in the USA



RedStorm™ Loop Detector Wiring Diagram and Hard Wired Communication



TRANS-TECH
 4395 Iroquois Ave.
 Erie, PA 16511
 Phone: (888) 811-7010
 Fax: (814) 836-8401
 Email: sales@transportation-tech.com
 Online: www.transportation-tech.com

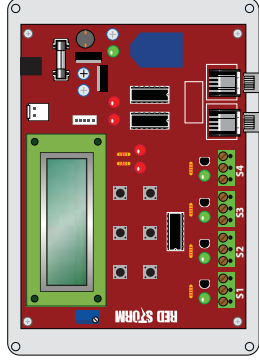
Specialized Signs & Solutions
 Erie, PA
 Proudly Made in the USA

Copyright © 2009 Trans-Tech

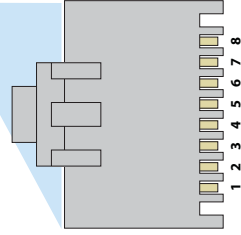
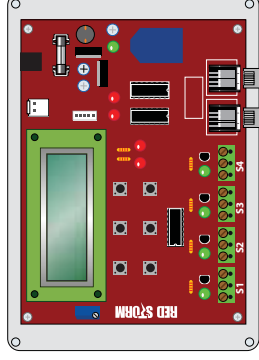


RS485-Hard Wired Communication Between RedStorm and Seven Segment Signs

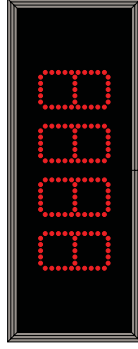
RedStorm Master 1 Controller



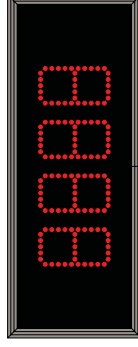
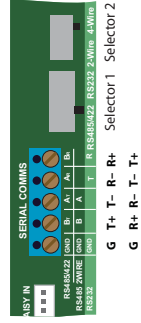
RedStorm Master 2 Controller



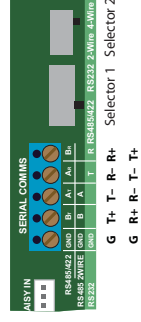
RS485 Hard Wired Communications Between Multiple Level Master Controllers and their Seven Segment Signs.



**Sign Level 1
Seven Segment Control Board**



**Sign Level 2
Seven Segment Control Board**



From RedStorm 2

Note: Communication Wiring Between Signs Must Be Crossed Over at Each Level.

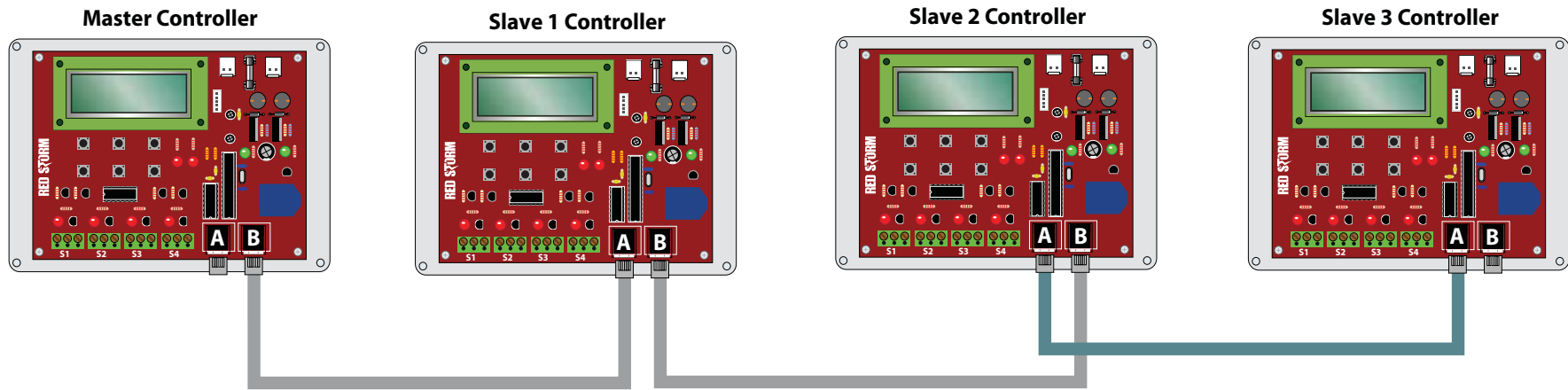
TRANS-TECH
 Specialized Signs & Solutions
 Erie, PA

4395 Iroquois Ave.
 Erie, PA 16511
 Phone: (888) 811-7010
 Fax: (814) 836-8401
 Email: sales@transportation-tech.com
 Online: www.transportation-tech.com

Proudly Made in the USA



RedStorm™ Hard Wired Communication Wiring Between Master and Multiple Slaves

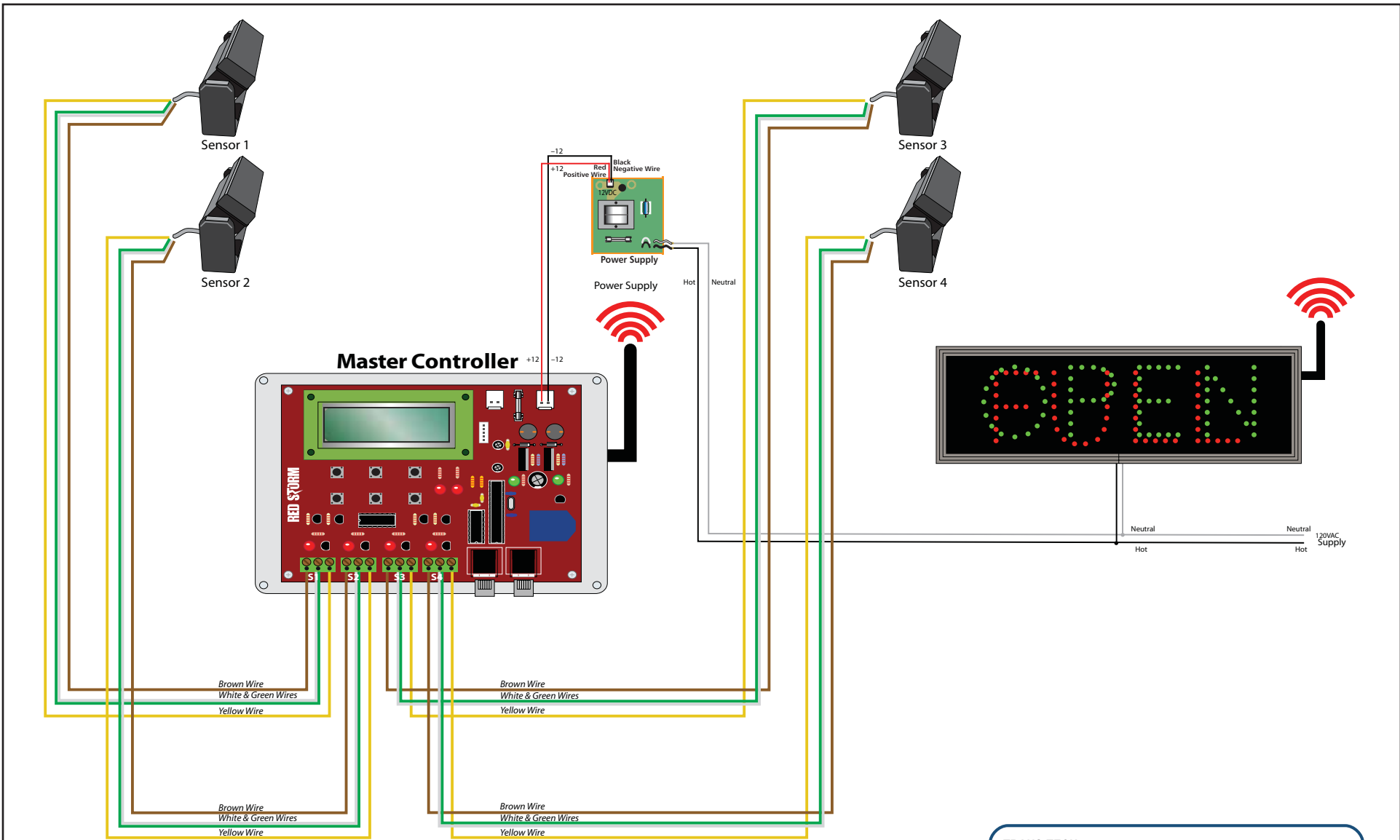


TRANS-TECH

4395 Iroquois Ave.
Erie, PA 16511
Phone: (888) 811-7010
Fax: (814) 836-8401
Email: sales@transportation-tech.com
Online: www.transportation-tech.com



Proudly Made in the USA



RedStorm™ Wiring with ProScan Sensors for Wireless Communication

TRANS-TECH
 4395 Iroquois Ave.
 Erie, PA 16511
 Phone: (888) 811-7010
 Fax: (814) 836-8401
 Email: sales@transportation-tech.com
 Online: www.transportation-tech.com

Trans-Tech Specialized Signs & Solutions
 Erie, PA
 Proudly Made in the USA

Copyright © 2009 Trans-Tech